

# CiTi One Technical Data

## Low Lift Pallet Truck

---

CiTi One

---



# CiTi One Low Lift Pallet Truck

## Innovation in Motion

This specification sheet, which conforms to VDI guideline 2198, provides the technical values for the standard equipment only. Different tyres, other masts, the use of accessories, etc. may result in other values.



Features	1.1		Manufacturer		STILL			
	1.2		Manufacturer's model designation		CiTi One			
Weights	1.3		Drive		Electric			
	1.4		Operation		Pedestrian			
Tyres/chassis	1.5		Q	kg	500			
	1.6		c	mm	600			
Dimensions	1.8		forks lifted/lowered	x	mm	972/906   772/706		
	1.9		Wheel base	y	mm	1185   985		
Performance	2.1		Service weight (incl. battery)		kg	5/9/15 Ah: 98/99/102		
	2.2		Axle load, laden		drive end/load end	kg	224/374	
Misc.	2.3		Axle load, unladen		drive end/load end	kg	71/27	
	3.1		Tyres		Solid rubber			
Electric engine	3.2		Tyre size		drive end	mm	Ø 310 x 85	
	3.3		Tyre size		load end	mm	Tandem Ø 80 x 37	
Dimensions	3.4		Support roller size		-			
	3.5		Number of wheels (x = driven)		drive end/load end	1x / 2		
Performance	3.6		Track width		drive end/load end	b <sub>10</sub> /b <sub>11</sub>	mm	-/410
	4.4		Lift		h <sub>3</sub>	mm	125	
Dimensions	4.9		Tiller handle height in driving position		min./max.	h <sub>14</sub>	mm	650/1170
	4.15		Fork height, lowered		h <sub>13</sub>	mm	85	
Performance	4.19		Overall length		l <sub>1</sub>	mm	1560	
	4.20		Length including fork backs		l <sub>2</sub>	mm	410	
Dimensions	4.21		Total width		b <sub>1</sub>	mm	550	
	4.22		Fork dimensions		DIN ISO 2331	s/e/l	mm	55/140/1150   55/140/950
Performance	4.25		Overall fork width		min./max.	b <sub>5</sub>	mm	550
	4.32		Ground clearance, centre of wheel base		m <sub>2</sub>	mm	30	
Dimensions	4.33		Working aisle width with 1000 x 1200 pallet crosswise		A <sub>st</sub>	mm	2122	
	4.34		Working aisle width with 800 x 1200 pallet lengthways (b <sub>12</sub> x l <sub>6</sub> )		A <sub>st</sub>	mm	1815	
Performance	4.35		Turning radius		W <sub>a</sub>	mm	1387/1321   1187/1121	
	5.1		Travel speed		laden/unladen	km/h	4.5/6.0	
Performance	5.1.1		Permitted speed at thresholds and crossings				km/h	<2
	5.2		Lifting speed		laden/unladen	m/s	0.037/0.054	
Performance	5.3		Lowering speed		laden/unladen	m/s	0.049/0.058	
	5.8		Max. gradeability kB 5		laden/unladen	%	8/8	
Performance	5.10		Service brake				Electromagnetic	
	6.1		Drive motor, rating S2 = 60 min				kW	0.3
Electric engine	6.2		Lift motor, rating at S3				kW	0.35
	6.3		Battery according to DIN 43531/35/36; A, B, C, no				Nickel battery	
Performance	6.4		Battery voltage/rated capacity K <sub>s</sub>				V/Ah	36/9
	6.5		Battery weight ±5% (depends on make)		5/9/15 Ah	kg	6.4/7.0/10.5	
Performance	6.6		Energy consumption according to VDI cycle				kWh/h	0.06
	8.1		Drive control				AC control	
Misc.	8.4		Sound pressure level at driver's ear				dB(A)	<60

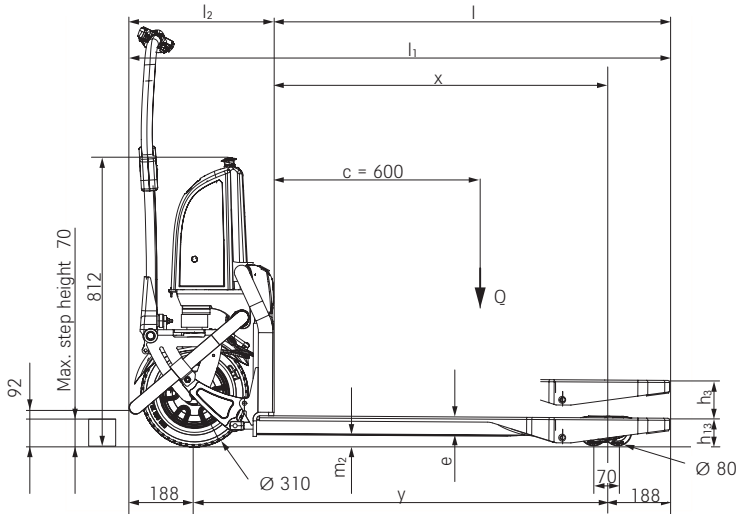
## Battery power and charging times

Batteries					Maximum charging time	
Capacity	Voltage	Technology	Weight	Operating time	Standard charger	Fast charger
5 Ah	36 V	NiCd	6.4 kg	Up to 45 min	5 h	1 h 40 min
9 Ah	36 V	NiMH	7 kg	Up to 75 min	9 h	3 h
15 Ah	36 V	NiMH	10.5 kg	Up to 120 min	15 h	5 h

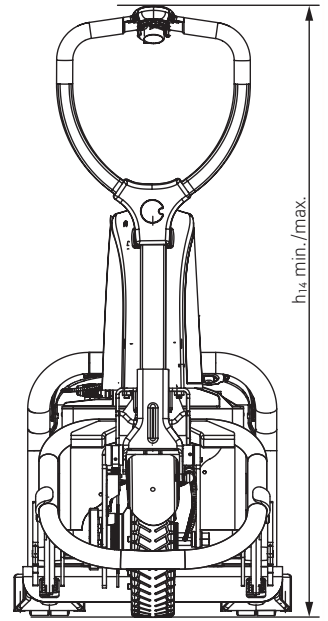
## Maximum possible step height

Load weight	Step height	Recommended speed
150 kg	70 mm	>2 km/h
300 kg	50 mm	>2 km/h
500 kg	45 mm	>2 km/h

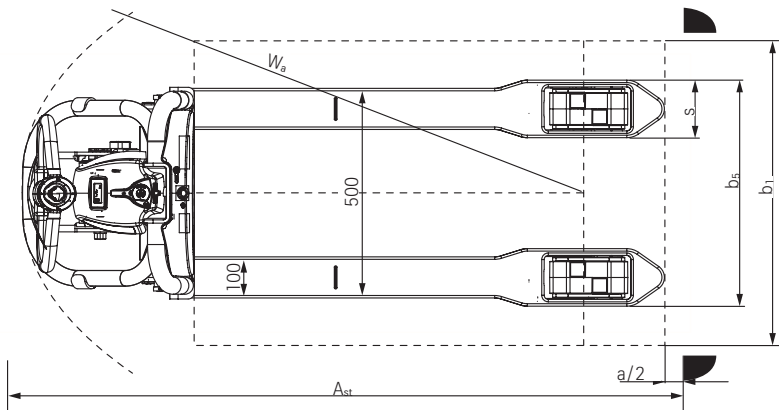
CiT<sub>i</sub> One Low Lift Pallet Truck  
 Technical Drawings



CiT<sub>i</sub> One side view



CiT<sub>i</sub> One rear view



CiT<sub>i</sub> One top view

CiTi One Low Lift Pallet Truck  
Detailed Photos



Can be used on any flooring thanks to profiled solid rubber drive wheel



Kerbs and thresholds up to 70 mm are easy to negotiate thanks to the climbing runners



Easy-to-use drive and lift functions with ergonomic single-handed control lever



Everything in view, all the time: multifunctional display shows operating hours, warnings, charging status and, optionally, weight



Fully chargeable at all times thanks to the CiTi One's intermediate charging function



Always ready for use: optional additional battery for extended operating time



Both operator and environment benefit from extremely quiet operation even on uneven floors



Mobility is ensured in any situation thanks to the emergency running feature

CiTi One Low Lift Pallet Truck  
Innovative - for urban goods supply



## CiTi One Low Lift Pallet Truck Innovative for Urban Goods Supply

---

Effortlessly negotiate kerbs and thresholds up to 70 mm thanks to the climbing runners

To be used on any flooring thanks to profiled solid rubber drive wheel

Both operator and environment benefit from extremely quiet operation



### CiTi One

---

The STILL CiTi One is revolutionising urban goods supply. These electrically powered low lift pallet trucks are ultra-silent and effortlessly move loads weighing up to 500 kg – with a service weight of only 95 kg. The large solid rubber wheel runs with reliability, precision and good tracking on roads, pavements or cobblestones. The CiTi One achieves excellent handling performance, not only tackling uneven floor surfaces with ease, but also traversing steps, kerbs, thresholds and tracks with heights of up to 70 mm. The parking brake ensures stability on ramps

and gradients. As the control lever can be operated with one hand, you always have a firm grip on the compact device. One glance at the multifunctional display provides you with information on the operating hours, the battery charging status and on the weight of the current load if required. All this makes the STILL CiTi One the ideal partner on the last leg of urban goods supply: for market stallholders and tradesmen or in hospitals, administrative buildings and leisure parks.

### The 'Simply Efficient' factors: Performance attributes as a measure of economic efficiency

---



#### Simply easy

---

- Fatigue-free operation: easy-grip tiller for left and right-handed operators
- Real-time information: multi-function display shows battery charge status and operating hours
- Transitions, kerbs and thresholds of up to 70 mm are easy to negotiate thanks to the climbing runners



#### Simply powerful

---

- Impressive goods handling: lifting capacity of up to 500 kg
- Excellent durability thanks to sturdy frame design
- High performance: powerful and low-maintenance drive motor
- Optimal drive at all times on any flooring thanks to profiled solid rubber drive wheel



#### Simply safe

---

- Safe operation: optimally dimensioned and positioned impact plate
- Quiet operation: CiTi One PIEK certification confirms low noise emissions – a plus for both operators and the environment



#### Simply flexible

---

- Suitable for a wide range of applications thanks to compact dimensions
- Different fork dimensions available for different load carriers

# CiTi One Low Lift Pallet Truck Equipment Variants



	CiTi One	
General	Various fork lengths	○
	Weighing equipment	○
	Multifunctional display	●
	Two access keys for access authorisation, emergency stop function and opening the battery compartment	●
	Climbing runners for easy traversing of thresholds and transitions of up to 70 mm	●
	PIEK certification: for low-noise deliveries of 60 dB	●
	For use in areas with temperatures down to -15 °C	●
	Ensures mobility thanks to emergency running feature	●
	Single-handed control lever	●
	Drive	Profiled solid rubber drive wheel tyres
Closed wheel-hub drive for maintenance-free deployment		●
Horn		●
Safety	Sensitive impact plate for high operational reliability in confined spaces	●
	Speed limited to 4 km/h	○
	Automatic parking brake	●
Battery	Maintenance-free battery technology	●
	Additional battery	○
	External charger	○
	Various types of mains plugs	○

● Standard   ○ Option   — Not available





STILL GmbH  
Berzeliusstr. 10  
22113 Hamburg  
Germany  
Tel.: +49 40 73 39 20 00  
Fax: +49 40 73 39 20 01  
info@still.de

**For further information please visit**  
**[www.still.eu](http://www.still.eu)**

STILL is certified in the following areas: Quality management, occupational safety, environmental protection and energy management.



first in intralogistics